

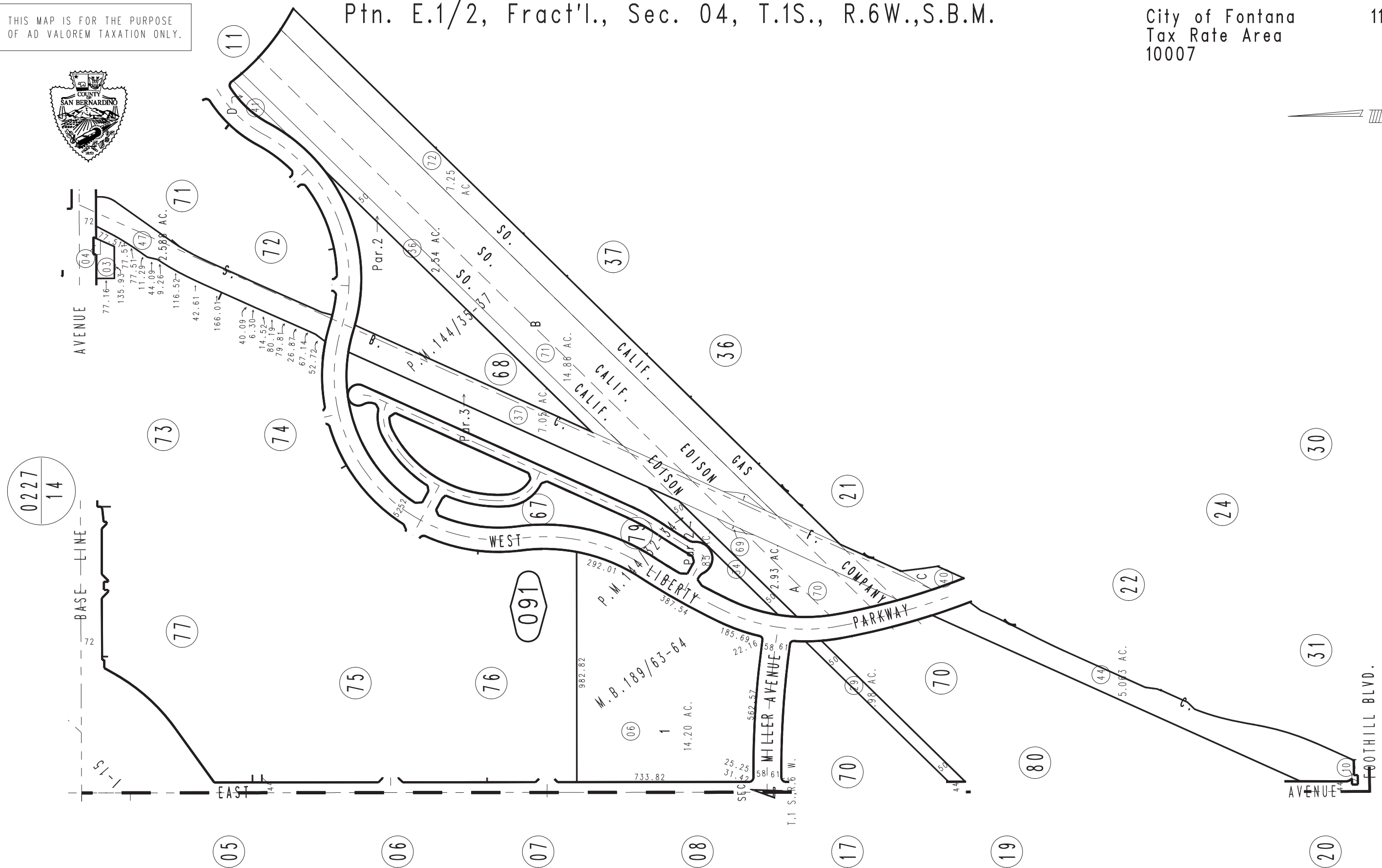
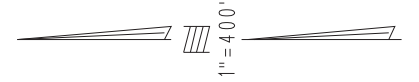
THIS MAP IS FOR THE PURPOSE  
OF AD VALOREM TAXATION ONLY.



Ptn. E.1/2, Fract'l., Sec. 04, T.1S., R.6W.,S.B.M.

City of Fontana  
Tax Rate Area  
10007

1100 - 09



0227  
14

0229  
05

0229  
09

DEC. 1987

Ptn. Parcel Map No.11554, P.M.144/35-37  
Ptn. Parcel Map No.11553, P.M.144/32-34  
Tract No. 13139, M.B. 189/63-64

Assessor's Map  
Book 1100 Page 09  
San Bernardino County

REVISED  
01/09/17 GW  
04/05/19 RU