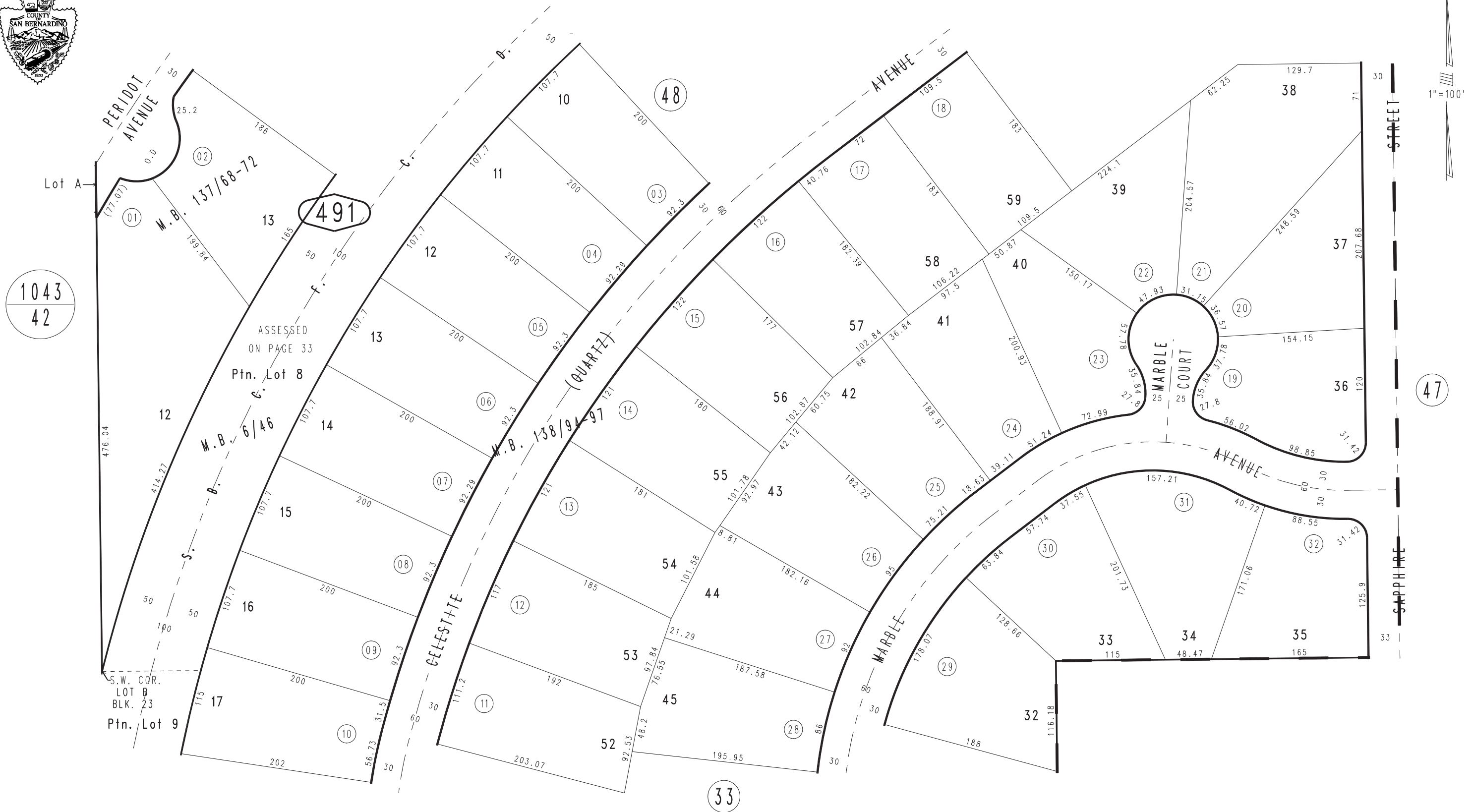


THIS MAP IS FOR THE PURPOSE OF AD VALOREM TAXATION ONLY.

# Ptn. Tract No. 9350, M.B. 137/68-72

City of Rancho Cucamonga 1062 - 49  
Tax Rate Area  
15002



1043  
42

47