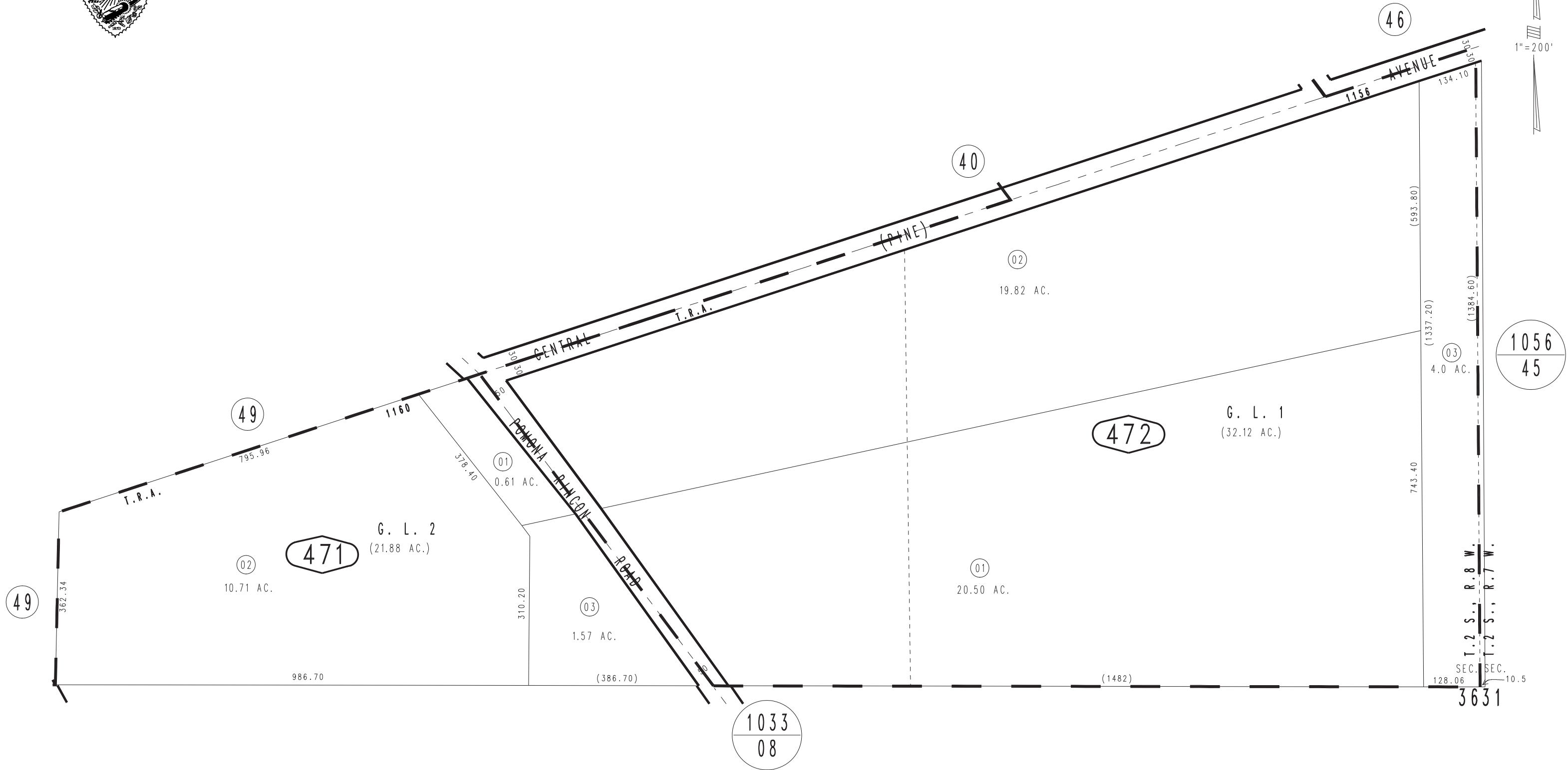


THIS MAP IS FOR THE PURPOSE
OF AD VALOREM TAXATION ONLY.

Ptn. S.1/2, Sec.36, T.2 S., R.8 W., S.B.M.
Ptn. S.1/2, Sec.31, T.2 S., R.7 W., S.B.M.

City of Chino
Tax Rate Area
1156,1160

1027 - 47



OCT. 1951

Assessor's Map
Book 1027 Page 47
San Bernardino County

REVISED
03/17/09 KC
02/22/10 LH