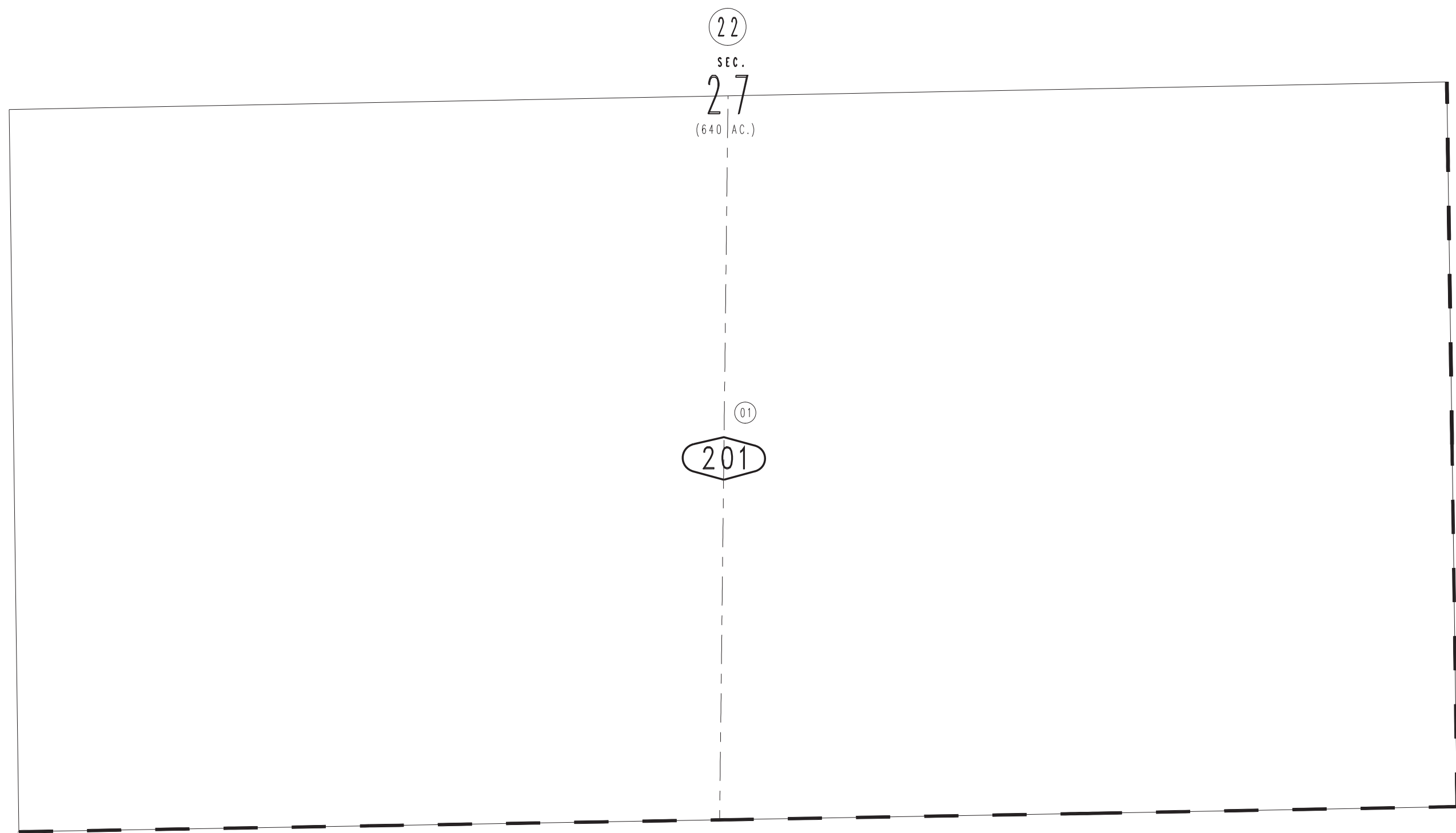


THIS MAP IS FOR THE PURPOSE
OF AD VALOREM TAXATION ONLY.

S.1/2, Sec.27, T.1S.,R.4E., S.B.B.&M.

Morongo Unified
Tax Rate Area
94011

0584-20



0583
33

01
201

23

19