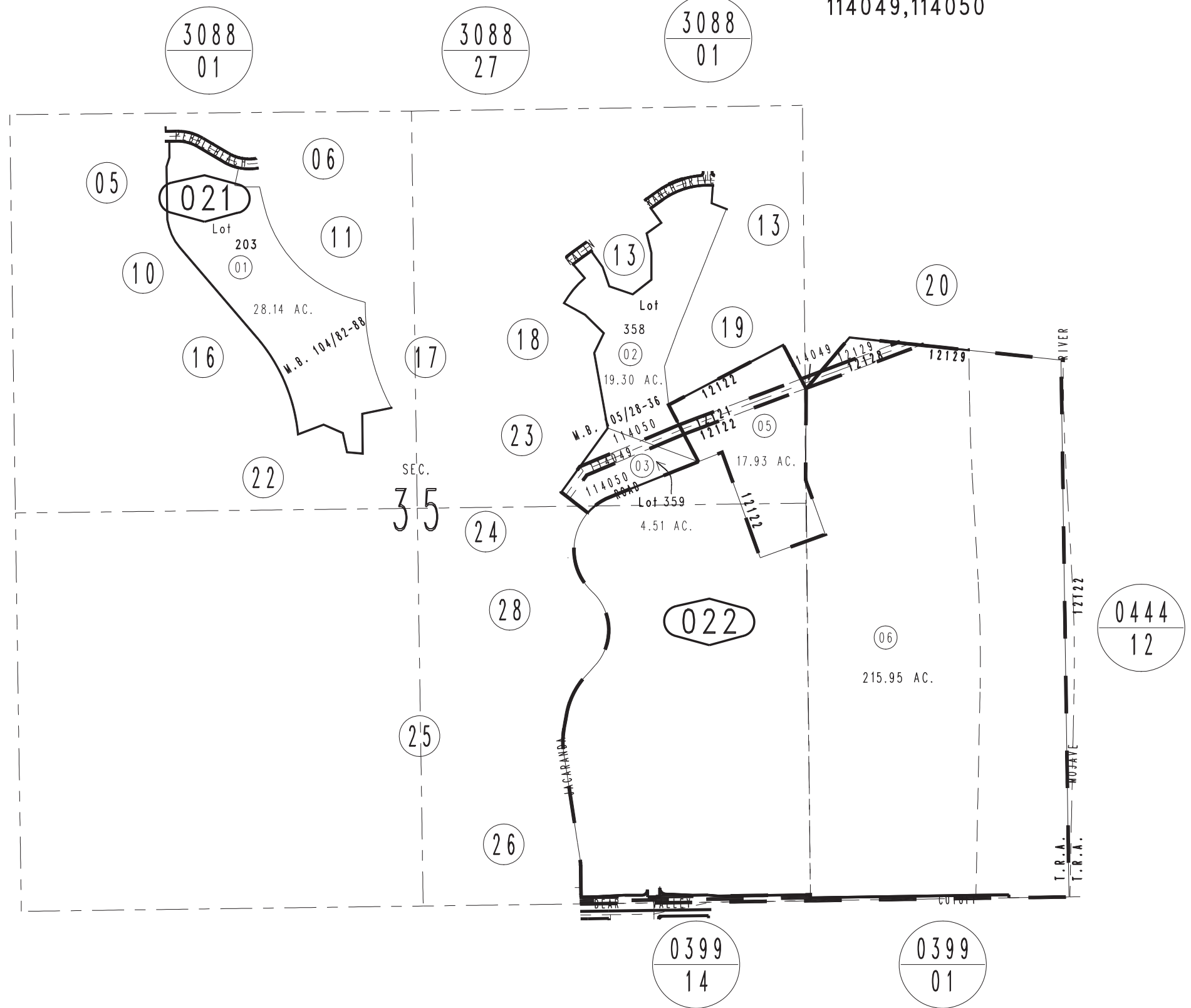
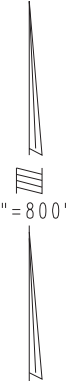


THIS MAP IS FOR THE PURPOSE
OF AD VALOREM TAXATION ONLY.

Ptn. Sec's 35 & 36, T.5N., R.4W., S.B.M.

City of Victorville
Victor Out
Tax Rate Area
12121,12122,12128,12129
114049,114050

0482-02



JANUARY 1997

Ptn. Tract No. 8031, M.B. 105/28-36
Ptn. Tract No. 8101, M.B. 104/82-88

Assessor's Map
Book 0482 Page 02
San Bernardino County

REVISED
05/18/00 RM
05/10/2004 RLU