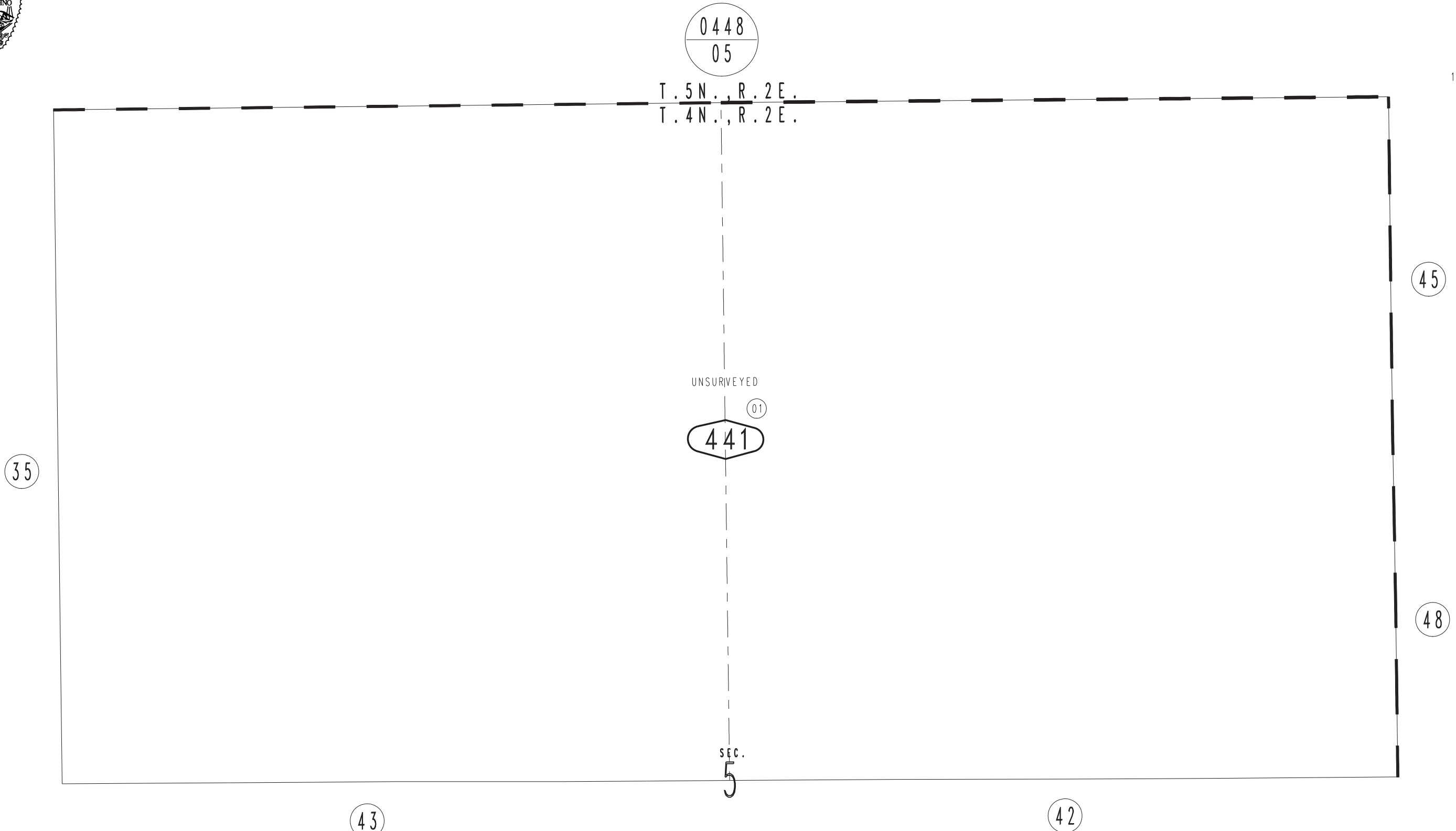
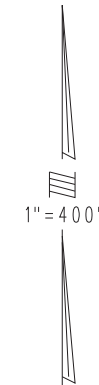


N.1/2 Sec.5, T.4N.,R.2E., S.B.B.&M.

Lucerne Valley Union 0449-44  
Tax Rate Area  
88002

THIS MAP IS FOR THE PURPOSE  
OF AD VALOREM TAXATION ONLY.



43

42

45

48

35

0448  
05

UNSURVEYED  
441<sup>01</sup>

SEC.  
5

T.5N., R.2E.  
T.4N., R.2E.