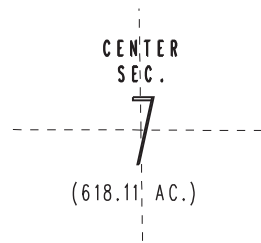


THIS MAP IS FOR THE PURPOSE OF AD VALOREM TAXATION ONLY.

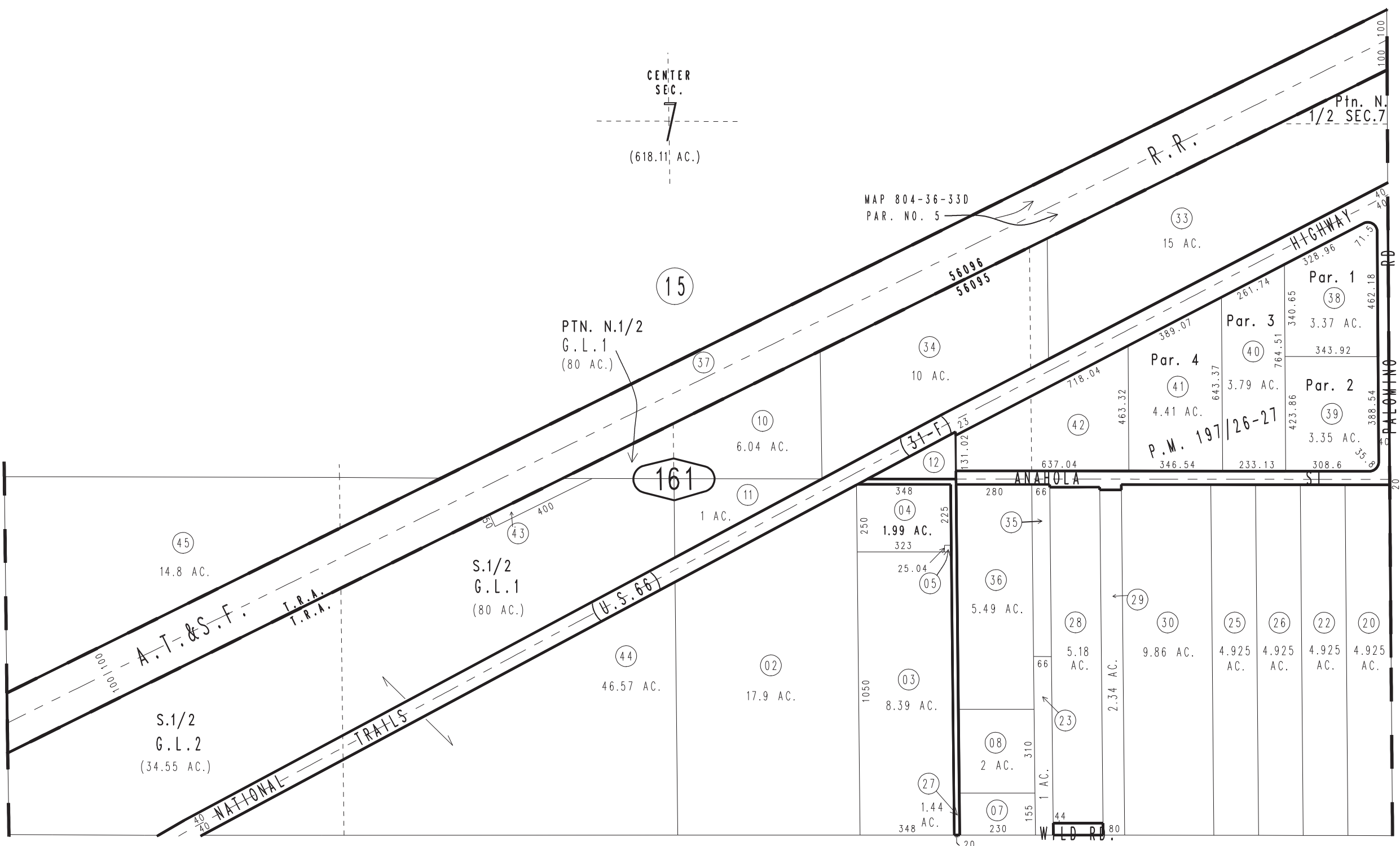
# Ptn. Fractional Sec.7, T.8N.,R.3W., S.B.B.&M.

Barstow Unified  
Tax Rate Area  
56095 56096

0420-16



0466  
04



15

17