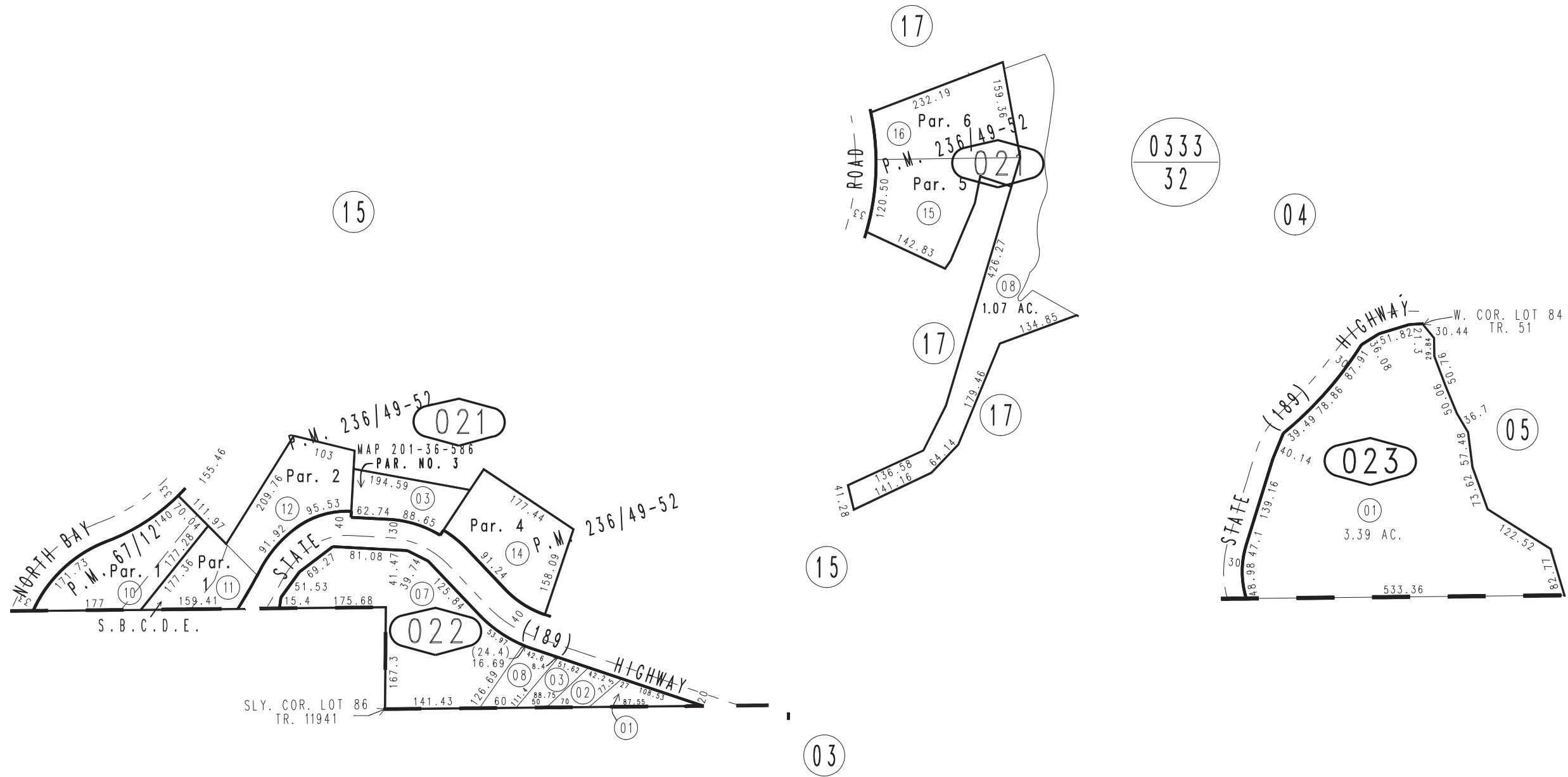


THIS MAP IS FOR THE PURPOSE  
OF AD VALOREM TAXATION ONLY.

Ptn. N.W.1/4 Sec.21, T.2N., R.3W., S.B.B.&M.

Rim of The World Unified 0335-02  
Tax Rate Area  
105017



0333  
32