

THIS MAP IS FOR THE PURPOSE
OF AD VALOREM TAXATION ONLY.

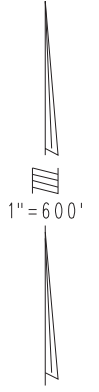
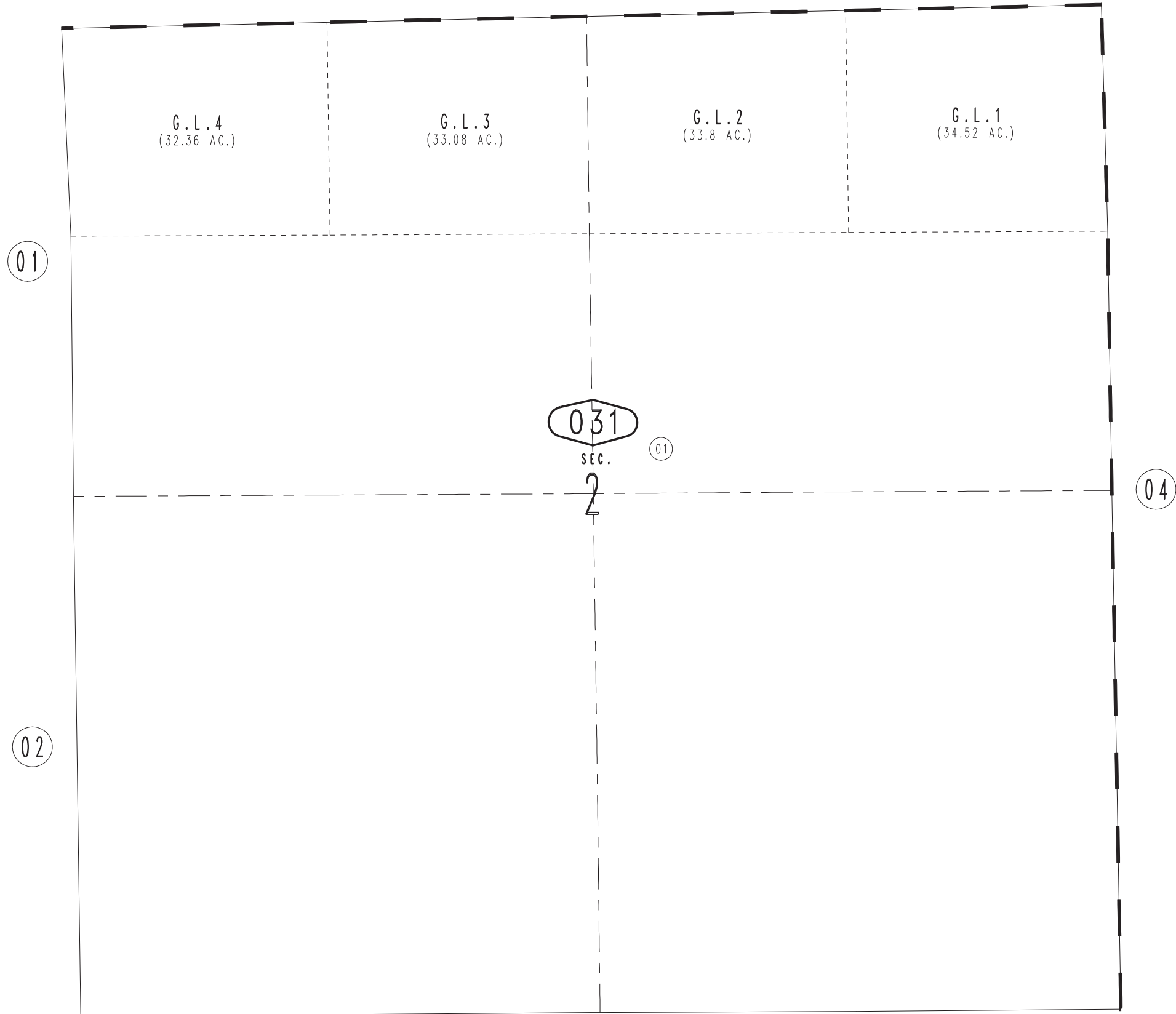


Sec.2, T.1S., R.1W., S.B.B.&M.

Yucaipa Joint Unified
Tax Rate Area
118008

0323-03

0305
05



G.L.4
(32.36 AC.)

G.L.3
(33.08 AC.)

G.L.2
(33.8 AC.)

G.L.1
(34.52 AC.)

01

031
SEC.

2

04

02

07