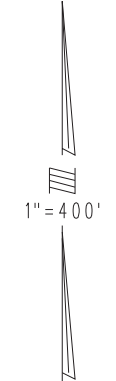


THIS MAP IS FOR THE PURPOSE
OF AD VALOREM TAXATION ONLY.

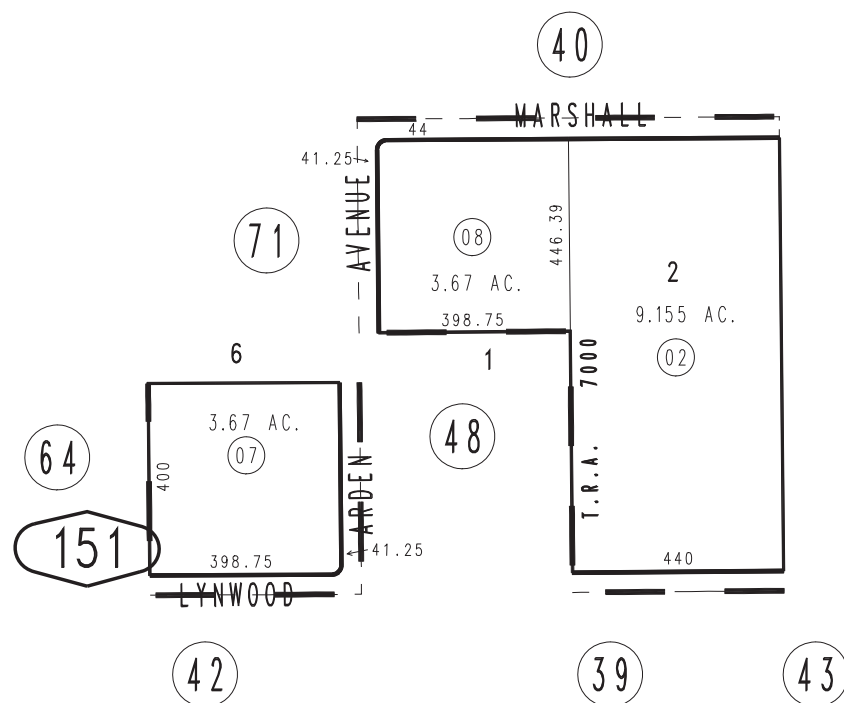


Ptn. West Highlands M.B. 5/77

City of San Bernardino 0285-15
Tax Rate Area
7000,7095

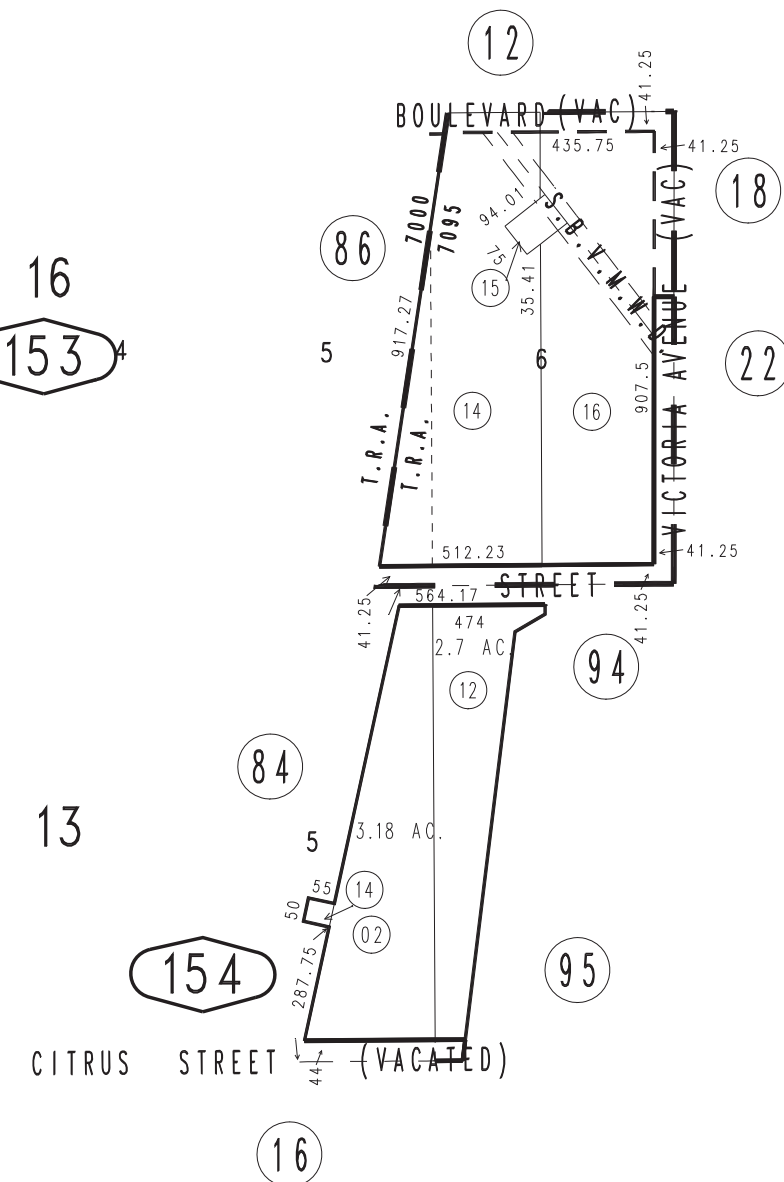


15



16
153

13



154