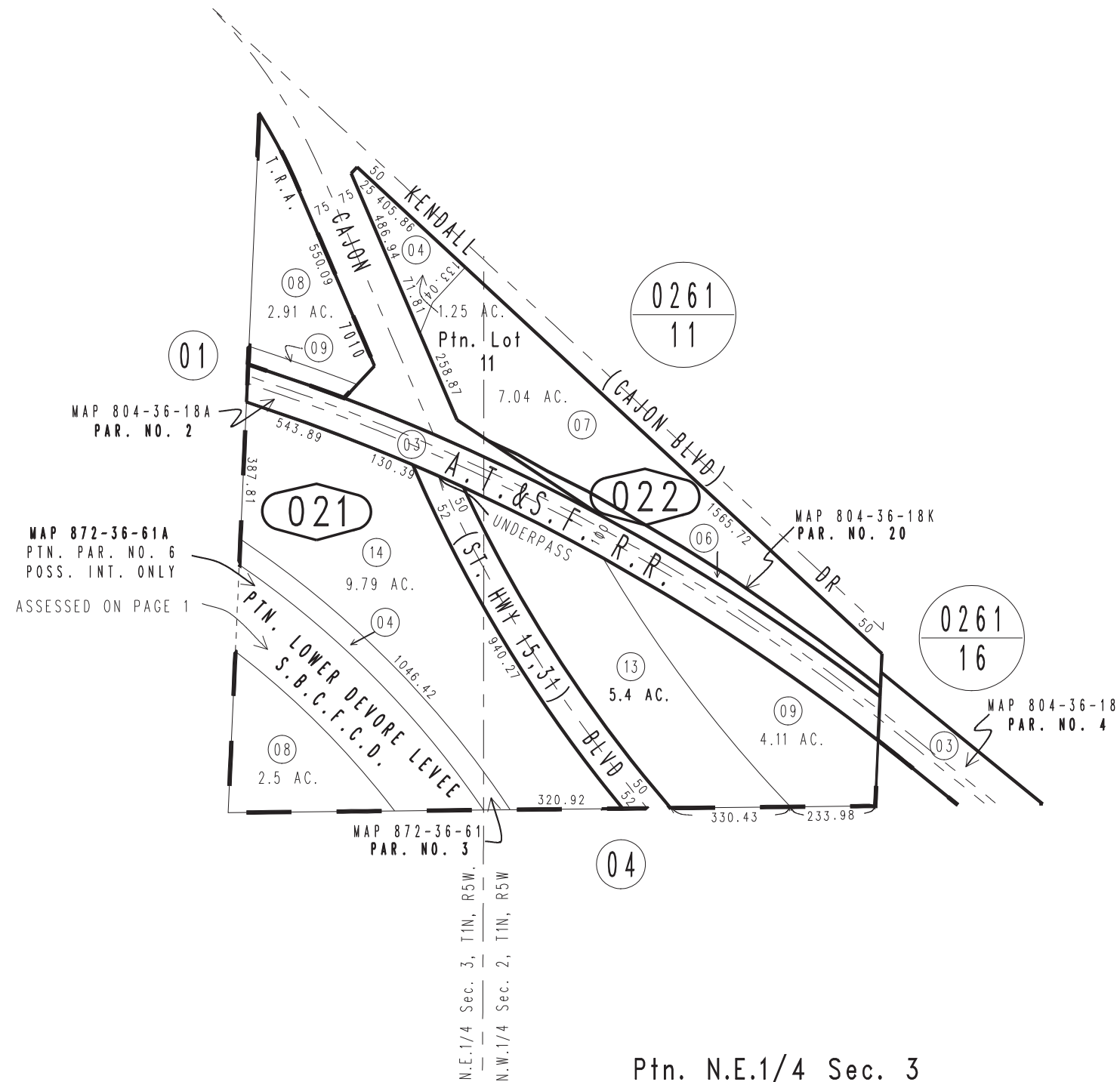


THIS MAP IS FOR THE PURPOSE
OF AD VALOREM TAXATION ONLY.



Ptn. Meyers & Barclay Sub. M.B. 12/18

City of San Bernardino 0262-02
San Bernardino Unified
Tax Rate Area
7010 107014



Ptn. N.E.1/4 Sec. 3
T.1N., R.5W.
Ptn. N.W.1/4 Sec. 2
T.1N., R.5W.

Assessor's Map
Book 0262 Page 02
San Bernardino County

REVISED
06/02/21 KA
01/09/23 KA