

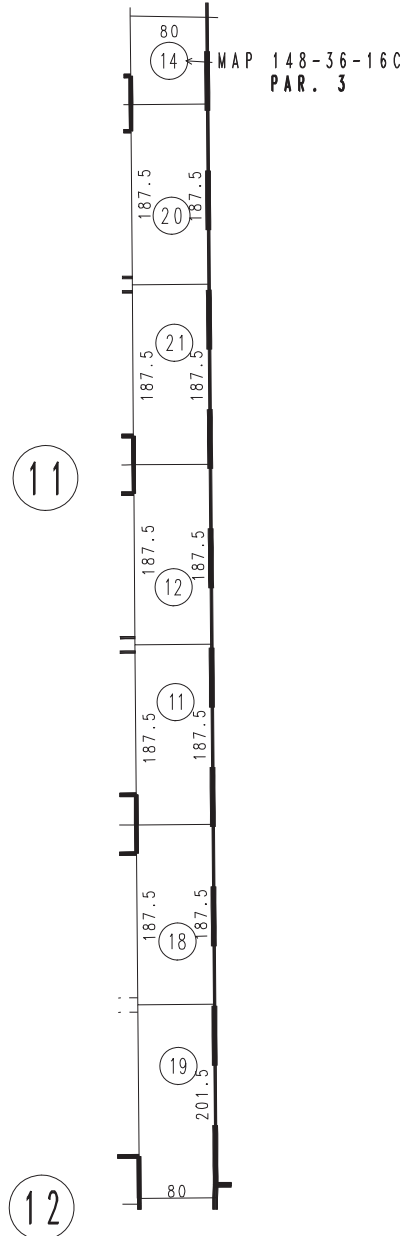
THIS MAP IS FOR THE PURPOSE
OF AD VALOREM TAXATION ONLY.

Ptn. Sec.34, T.1S.,R.5W., S.B.B.&M.

Colton Joint Unified 0259-17
Tax Rate Area
64040,64042

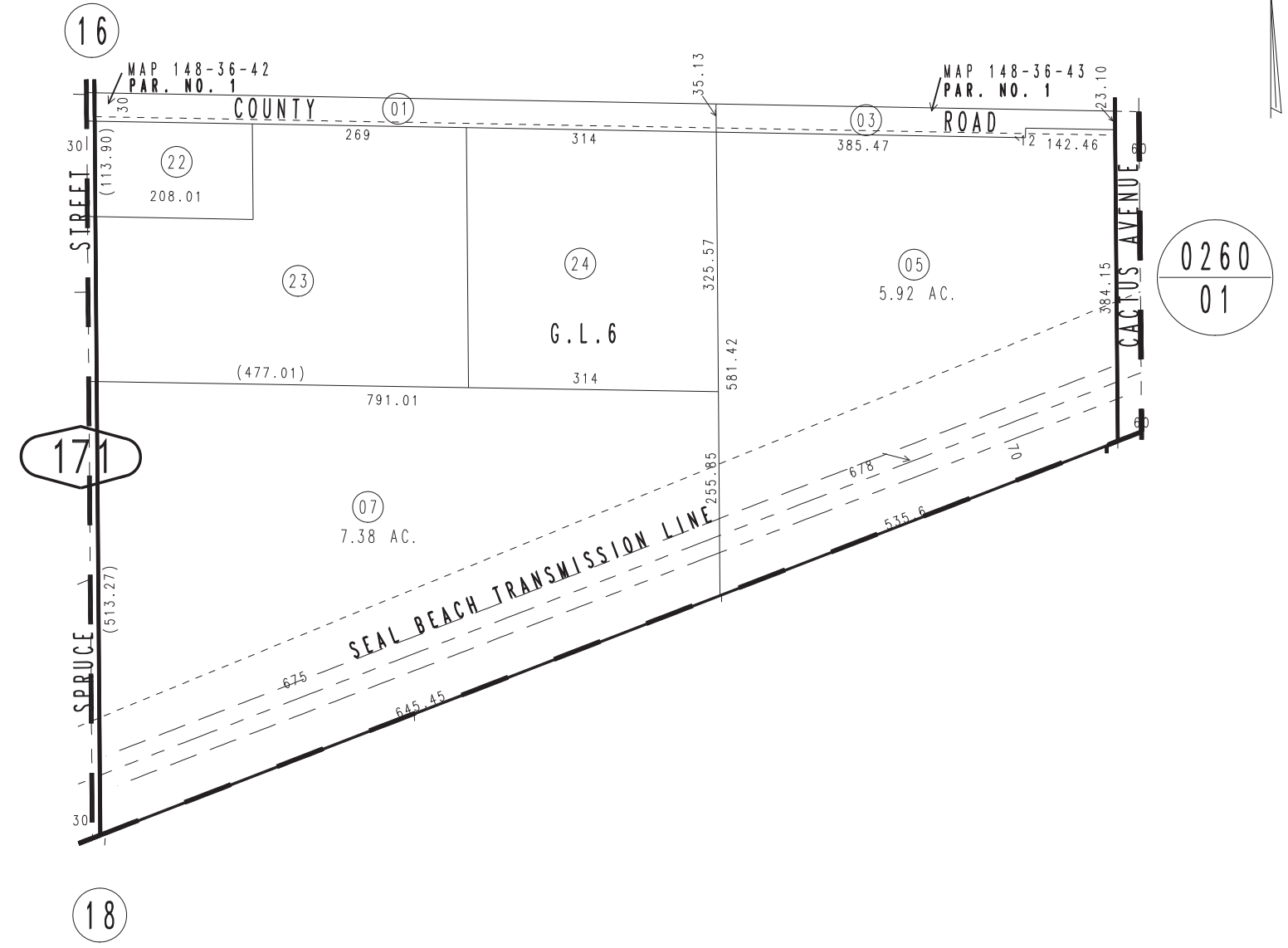


10



20

19



0260
01

