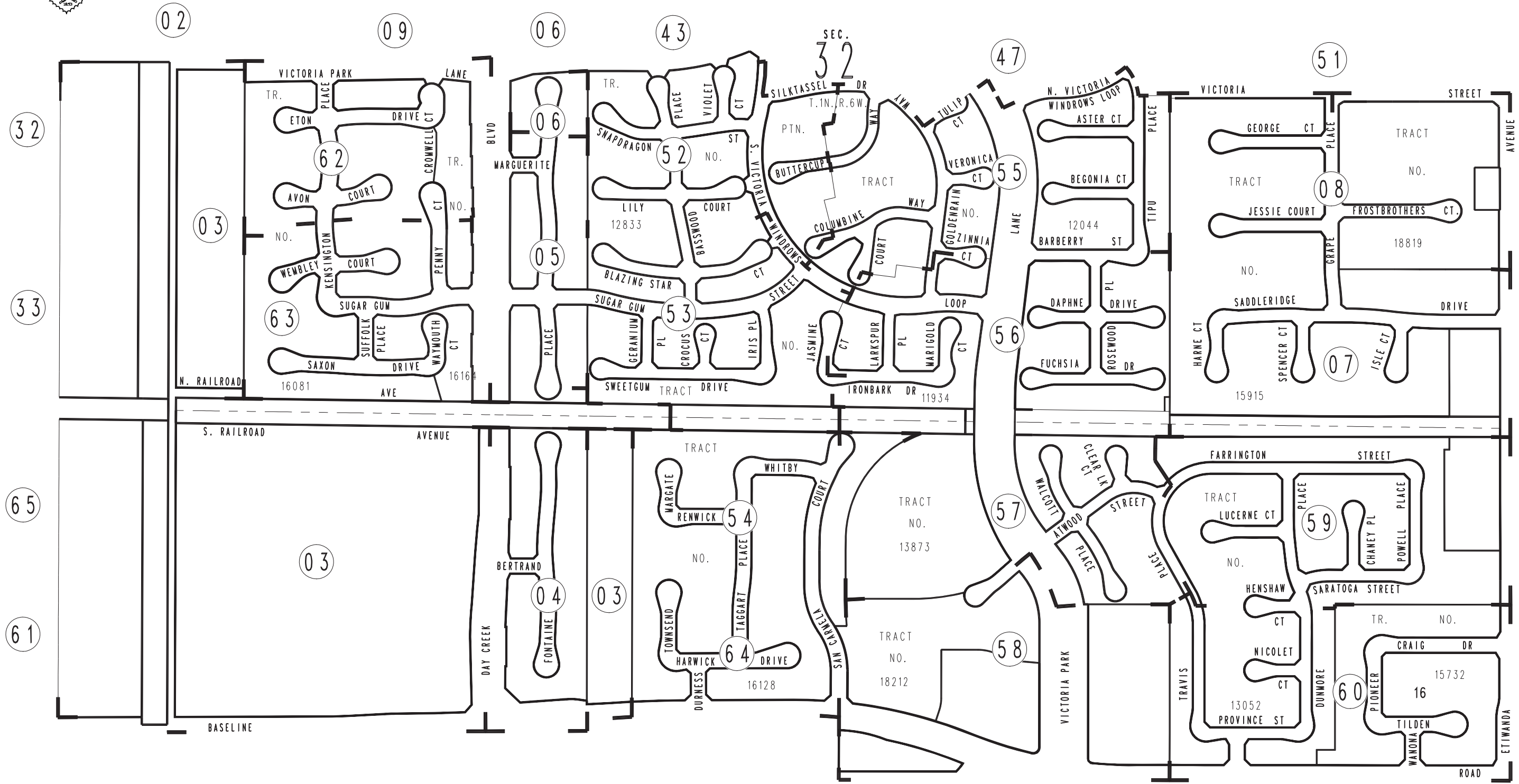


THIS MAP IS FOR THE PURPOSE OF AD VALOREM TAXATION ONLY.



INDEX MAP BOOK 1089 CITY OF RANCHO CUCAMONGA



BK.
0227

BK.
1090

REVISED
10/09/13 KC-MC
12/12/13 GW
01/03/13 GW
09/09/14 RM