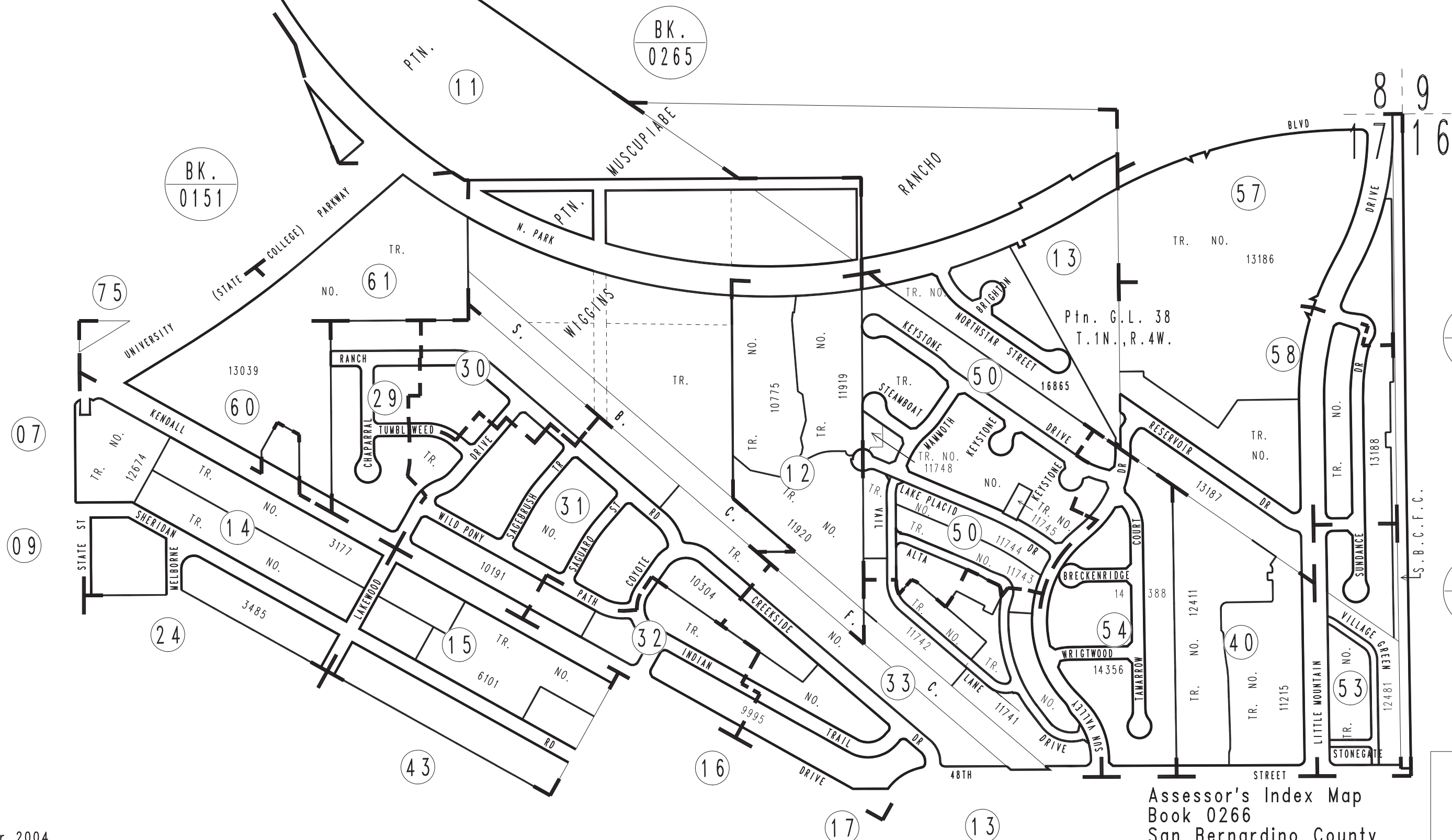
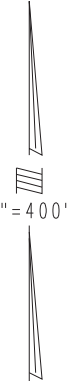


THIS MAP IS FOR THE PURPOSE OF AD VALOREM TAXATION ONLY.



# INDEX MAP BOOK 0266 CITY OF SAN BERNARDINO



BK. 0154

BK. 0265

Assessor's Index Map  
Book 0266  
San Bernardino County

REVISED  
04/16/10 RM