

THIS MAP IS FOR THE PURPOSE  
OF AD VALOREM TAXATION ONLY.



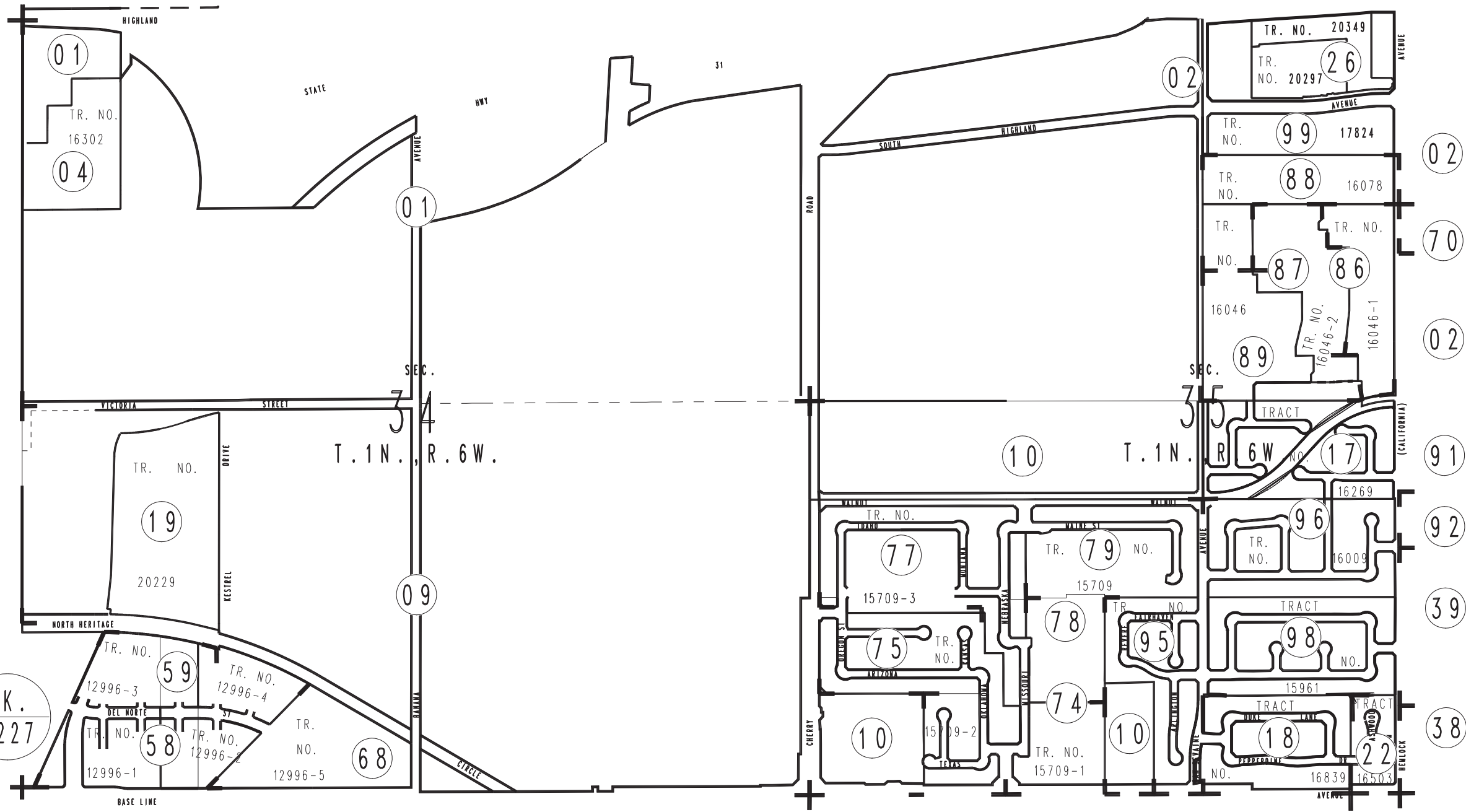
# INDEX MAP BOOK 0228

ETIWANDA, CITY OF FONTANA  
& FONTANA UNIFIED  
CITY OF RANCHO CUCAMONGA



BK.  
1108

BK.  
0227



BK.  
0227

BK.  
1100

BK.  
1110