

THIS MAP IS FOR THE PURPOSE OF AD VALOREM TAXATION ONLY.

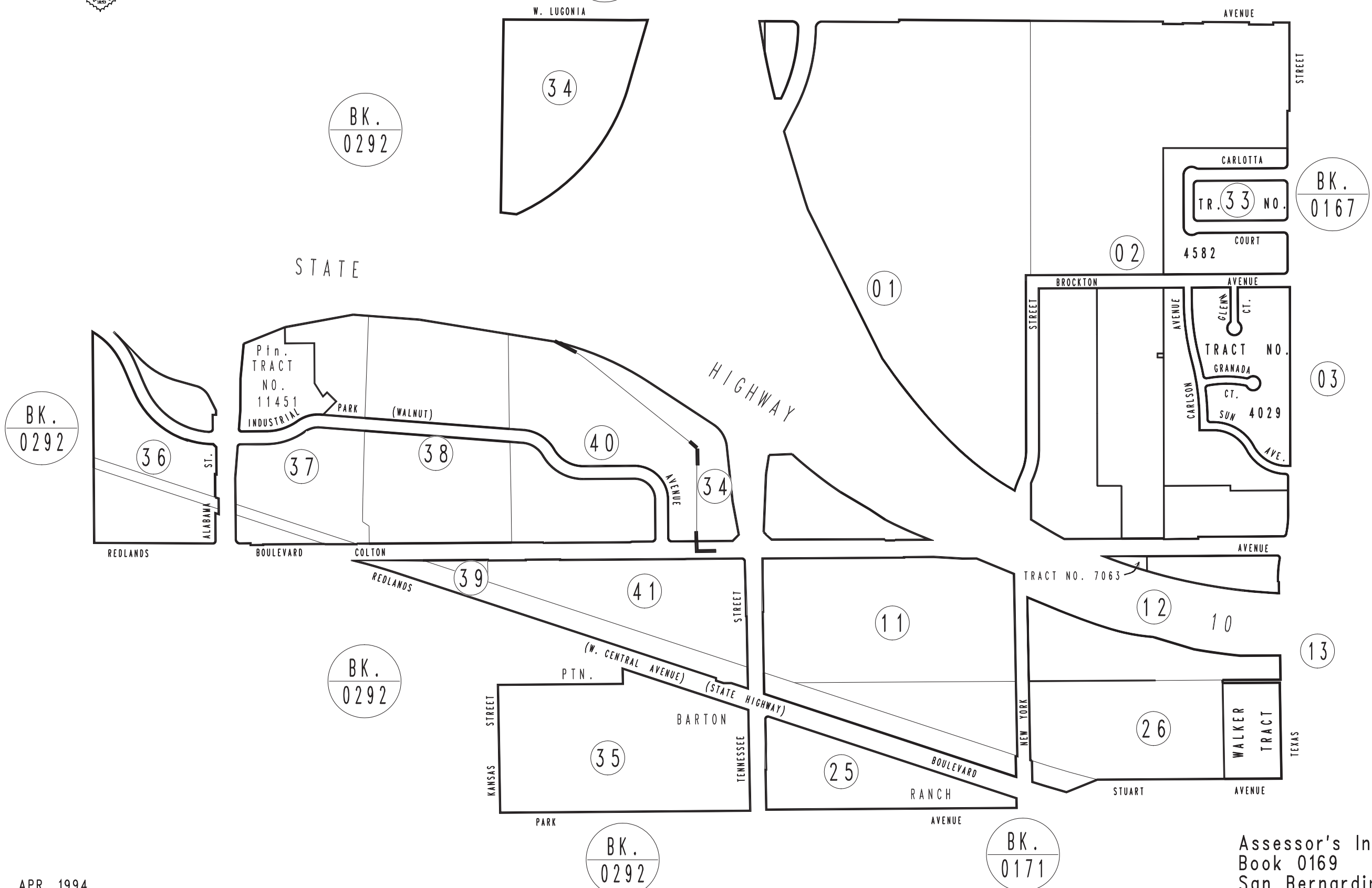
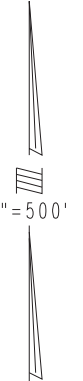


INDEX MAP BOOK 0169

BK.
0292

CITY OF REDLANDS

BK.
0167



BK.
0292

BK.
0292

BK.
0167

BK.
0292

BK.
0292

BK.
0171